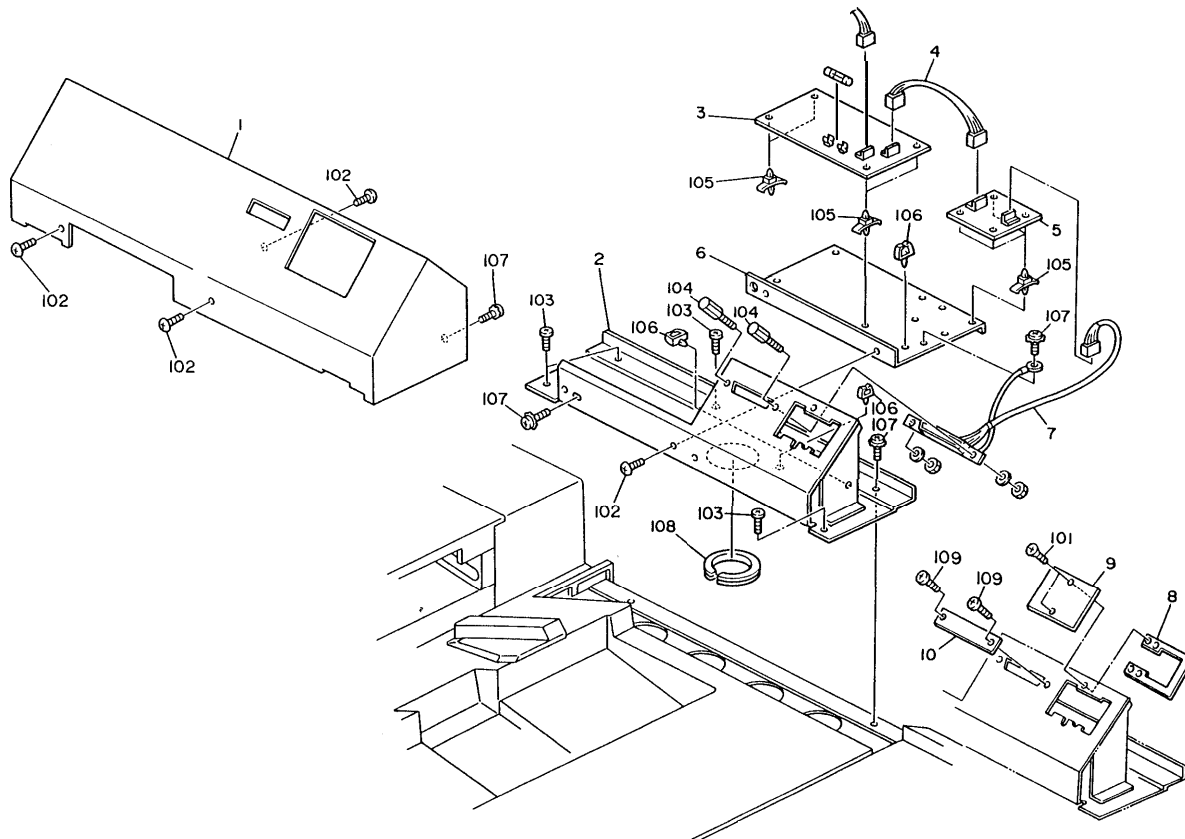


PCU10/KP10 (A531/A532)

1. PRINTER CONNECTOR UNIT AND KEY COUNTER BRACKET (A531/A532)



1. PRINTER CONNECTOR UNIT AND KEY COUNTER BRACKET (A531/A532)

Index No.	Part No.	Description	Q'ty Per Assembly
1	A532 1067	Key Counter Cover	1
2	A532 1064	Key Counter Bracket	1
3	A1125050	DC/DC Converter - 5V	1
4	A531 5410	DC Harness	1
5	A1125060	Interface Board	1
6	A531 1062	Printer Board Bracket	1
7	A531 5420	Printer Harness	1
8	54201515	Plate - Key Counter	1
9	A006 1352	Key Counter Cover	1
10	A532 1068	Counter Cover	1

Index No.	Part No.	Description	Q'ty Per Assembly
101	0323 0080W	Philips Sunken Head Screw - M3x8	
102	0344 0080F	Philips Truss Head Screw - M4x8	
103	0314 0080W	Philips Truss Head Screw - M4x8	
104	11024039	Connector Joint Stud	
105	11050193	Nylon Stud	
106	11050199	Clamp	
107	08011185	Philips Truss Head Screw - M4x8	
108	11060335	Snap Bushing -41.3	
109	0343 0060F	Truss Screw - M3x6	